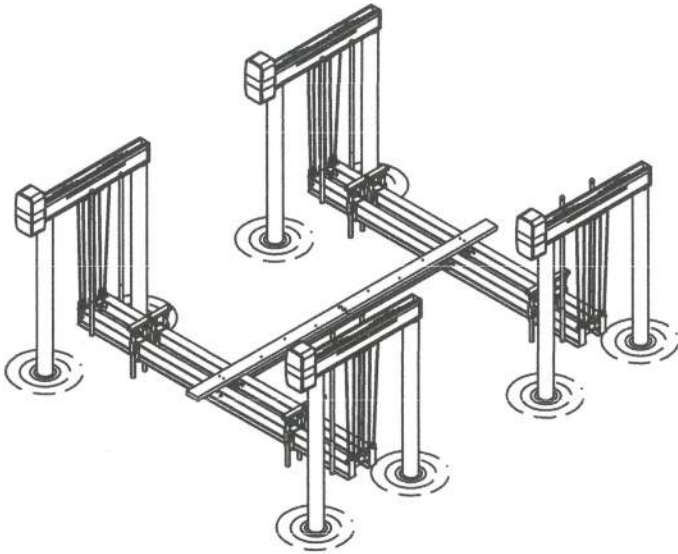


IMM QUALITY BOAT LIFTS

VATOR 8 POST BOAT LIFTS



STRUCTURAL ENGINEERING REVIEW

THIS CONSTRUCTION HAS BEEN DESIGNED AS A MAIN WIND FORCE RESISTING SYSTEM, WITH CALCULATED GRAVITY AND WIND LOADS IN COMPLIANCE WITH THE FLORIDA BUILDING CODE 2014, CHAPTERS 16 & 20, ADM 2010, ASCE/SEI 7-10, AND "MINIMUM DESIGN LOADS FOR BUILDINGS AND OTHER STRUCTURES" TO WITHSTAND THE WIND LOADS ASSOCIATED WITH AN ULTIMATE WIND SPEED OF 180 MPH, EXPOSURE 'D', RISK CATEGORY 'I'. ARNOLD/SANDERS CONSULTING ENGINEERS HAS NO CONTROL OF THE MANUFACTURING, PERFORMANCE, OR INSTALLATION OF THIS PRODUCT. THESE GENERIC PLANS WERE ENGINEERED IN ACCORDANCE WITH ACCEPTED ENGINEERING PRACTICES AND DATA PROVIDED BY THE MANUFACTURER.

J.J. Sanders
7-29-16

Arnold/Sanders Consulting Engineers, Inc.
Certificate of Authorization 9451
12651 McGregor Blvd. Suite 103
Ft. Myers, FL 33919
239-267-3666

J.J. SANDERS
Reg. Florida No. 66361 Date:

SIGNATURE NOT VALID WITHOUT RAISED SEAL

IMM BOAT LIFTS, INC. IS NOT RESPONSIBLE FOR THE DOCK STRUCTURE, OR ITS ABILITY RESIST THE APPLIED LOADS OF THE BOAT LIFT. THE SITE SHOULD BE VERIFIED BY A LICENSED MARINE CONTRACTOR. APPLIED LOADS WILL BE PROVIDED UPON REQUEST.

LIFT CAPACITY LBS.	CABLE BEAM SIZE CUSTOM CHANNEL 6061-T6, 6005A-T5	GROOVED CABLE WINDER SIZE 6061-T6, 6005A-T5	DRIVE SHAFT SIZE	DRIVE SHAFT SPROCKET	GEAR DRIVE SPROCKET	GEAR RATIO	NO. OF MOTORS & H.P.	CABLE SIZE	INCHES OF LIFT PER MINUTE	GUIDE POST HEIGHT	BOAT BUNKS	CRADLE BEAM SIZE " x " W - INCHES	GEAR DRIVE RATIO	NO. OF MOTORS & H.P.	MOTOR BRAKE TORQUE	INCHES OF LIFT PER MINUTE
32,000	11 x .230 H 2 x .160 W	2.375 DIA. 19" Length LIFTS 12 FT.	1.90" TUBE 8 ga	#60A60 #60A60 HS	#60 10 TOOTH	60:1	4 1HP 230V/26A	5/16 SSAC 7x19 304, 2P 66"	18	10		12 x .310 H 7 x .620 W 216 L	30:1	(4)2H.P 230V/50A	6 FT-LBS	44
40,000	11 x .230 H 2 x .160 W	2.375 DIA. 23" Length LIFTS 12 FT.	1.90" TUBE 8 ga	#60A60 #60A60 HS	#60 10 TOOTH	60:1	4 1HP 230V/26A	5/16 SSAC 7x19 304, 3P 120"	13	10	**CUSTOM BUNK SYSTEM	(2)12 x .290 H 7 x .470 W 216 L	30:1	(4)2H.P 230V/50A	6 FT-LBS	30
54,000	14 x .313 H 2 x .313 W	3 DIA. 20" Length LIFTS 12 FT.	2.8750" TUBE 8 ga	#60A60 #60A60 HS	#60 10 TOOTH	60:1	4 1-1/2HP 230V/36A	5/16 SSAC 7x19 304, 4P 148"	13	10		(2)12 x .310 H 7 x .620 W 240 L	30:1	(4)2H.P 230V/50A	6 FT-LBS	28

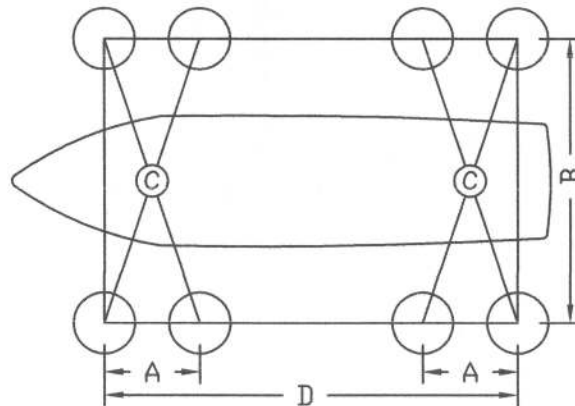
HI-SPEED OPTION

ALL SPACING TO CENTER OF PILING

Lift Capacity	A	B	C	D	Rec. min. Pile size
32,000 lb.	84"	216"	231.75"	*	10" dia.
40,000 lb.	84"	216"	231.75"	*	10" dia.
54,000 lb.	84"	240"	254.25"	*	10" dia.

Note: all Dimensions ±2"

*Standard spacing for dimension 'D' is 288".
Dimension 'D' dependent on boat length.



DWG: 600101 PUB July 29, 2016