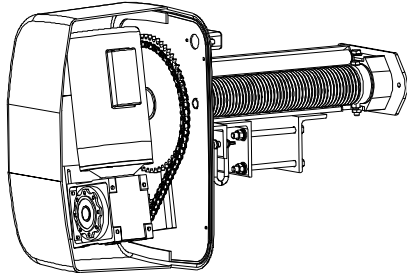
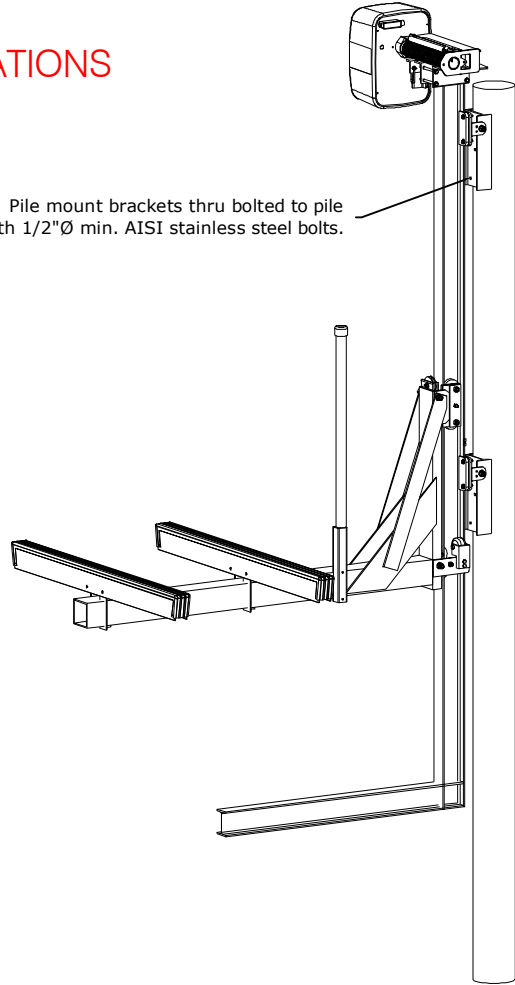


IMM Quality Boat Lifts

PWC 3000 SPECIFICATIONS



Pile mount brackets thru bolted to pile with 1/2" Ø min. AISI stainless steel bolts.



IMM BOAT LIFTS, INC. IS NOT RESPONSIBLE FOR THE DOCK STRUCTURE OR ITS ABILITY RESIST THE APPLIED LOADS OF THE BOAT LIFT. THE SITE SHOULD BE VERIFIED BY A LICENSED MARINE CONTRACTOR. APPLIED LOADS WILL BE PROVIDED UPON REQUEST.

LIFT CAPACITY lbs.	CRADLE TUBE 6061-T6	STD. TRACK I-BEAM 6061-T6	PILE SIZE min.	GROOVED CABLE WINDER SIZE	MAX TRAVEL	CABLES	DRIVE SHAFT SIZE inches	GUIDE POST HEIGHT	BOAT BUNKS WOOD OPTION	BOAT BUNKS ALUM. OPTION	DRIVE SHAFT SPROCKET	GEAR DRIVE SPROCKET	STANDARD SPEED		HIGH SPEED			
													GEAR RATIO	MOTOR	GEAR RATIO	MOTOR		
3,000	6"x6"x.25"	6 x .21 H 4 x .35 W 15'	10'Ø	3" Sch 80 Pipe	20'	5/16 SSAC 7x19 304 2P 48'	Tube 2.875 O.D. 8 Gauge	7	2 x 8 x 72"	72"	#50A60	#50B11	60:1	3/4H.P-115V/11A 230V/5.5A	30	30:1	1-1/2 H.P 230V/11A	60

Notes:

1. Structure designed for loads associated with an ultimate wind speed of 170 MPH, exposure "D", risk category 1, calculated for Florida Building Code 2010, ASCE 7-10 and ADM-2005.
2. Boats shall not be stored on lifts during high wind events.
3. All primary structural members to be 6061-T6 aluminum.
4. Tracks are to be driven to firm bearing material.
5. Wood piles shall comply with ASTM D25 and be southern pine, 2.5 cca marine grade pressure treated.
6. Lateral support for piles and attachment to piles shall be engineered by others for site specific conditions.

