

IMM Quality Boat Lifts

ALUMAVATOR BOAT LIFT SPECIFICATIONS

4 POST BOAT LIFTS WITH 2 CRADLE BEAMS AND 4 CABLES

Typical Boat House Lift Dimensions

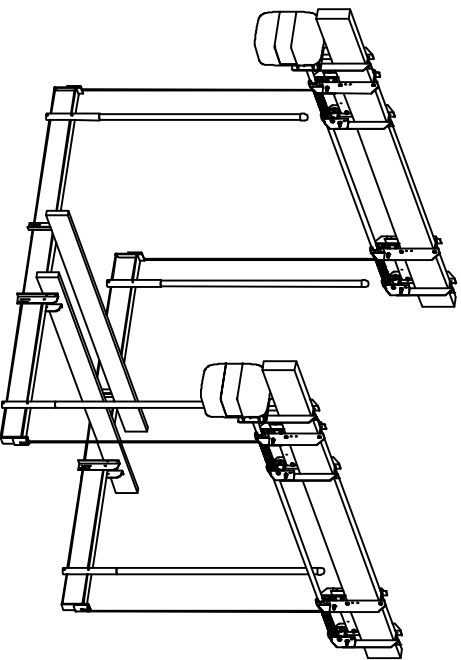
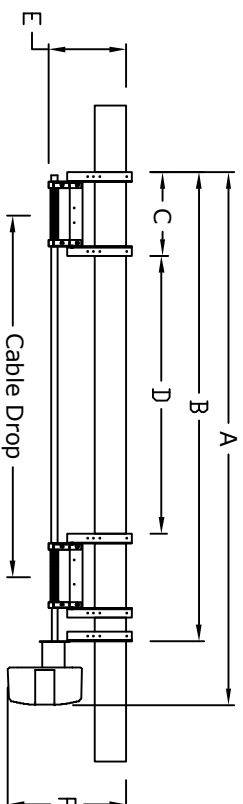


Table A

| LIFT CAPACITY | A | B | C | D | Cable Drop |
|---------------|------|------|--------|------|------------|
| 4,500 LB | 135" | 135" | 27.25" | 74" | 101" |
| 7,000 LB | 167" | 147" | 27.25" | 86" | 113" |
| 10,000 LB | 167" | 147" | 30.25" | 80" | 110" |
| 13,000 LB | 167" | 147" | 30.25" | 80" | 110" |
| 16,000 XLB | 167" | 147" | 30.25" | 80" | 110" |
| 20,000 XLB | 191" | 171" | 30.25" | 104" | 134" |
| | | | | 94" | 123" |

Table B

| Lift Configuration | E | F |
|--------------------|-------|-----|
| Alumavator | 24.5" | 37" |

IMM BOAT LIFTS, INC. IS NOT RESPONSIBLE FOR THE DOCK STRUCTURE OR ITS ABILITY RESIST THE APPLIED LOADS OF THE BOAT LIFT. THE SITE SHOULD BE VERIFIED BY A LICENSED MARINE CONTRACTOR. APPLIED LOADS WILL BE PROVIDED UPON REQUEST.

| LIFT CAPACITY lbs. | CRADLE SIZE BEAM L6061-16,6005A-15 | GROUND CABLE WINDER SIZE INCHES | DRIVE SHAFT SIZE INCHES | DRIVE SHAFT SPROCKET | GEAR DRIVE SPROCKET | GEAR RATIO | NO. OF MOTORS # H.P. | CABLES | CABLE SPREAD INCHES | LIFT SPEED in/min | GUIDE POST HEIGHT | BOAT BUNKS WOOD OPTION | BOAT BUNKS ALUM. OPTION |
|-----------------------|--|--|-------------------------------|-------------------------|------------------------|---------------|-------------------------------|------------------------------|---------------------------|----------------------|-------------------------|---------------------------|----------------------------|
| 4,500 | 6 x .190 H 4 x .290 W 120 L | 2.375 DIA. 17" Length LIFTS 14 FT. | 1.9 Ø TUBE 9 ga | #50A60 | #50B11 | 60:1 | (2)3/4HP-115W/22A 230V/11A | 5/16 SSAC 7x19 304, 1P 20 | 101 | 41 | 7 | 2 x 8 x 144 | 144 |
| 7,000 | 6 x .190 H 4 x .290 W 144 L | 2.375 DIA. 17" Length LIFTS 14 FT. | 1.9 Ø TUBE 9 ga | #50A60 | #50B9 | 60:1 | (2)3/4HP-115W/22A 230V/11A | 5/16 SSAC 7x19 304, 1P 20 | 113 | 33 | 7 | 2 x 8 x 144 | 144 |
| 10,000 | 8 x .230 H 5 x .350 W 150 L | 2.375 DIA. 20" Length LIFTS 12 FT. | 1.9 Ø TUBE 9 ga | #50A60 | #50B11 | 60:1 | (2)3/4HP-115W/22A 230V/11A | 5/16 SSAC 7x19 304, 2P 38 | 110 | 20 | 7 | 2 x 8 x 144 | 144 |
| 13,000 | 8 x .230 H 5 x .350 W 150 L | 2.375 DIA. 20" Length LIFTS 12 FT. | 1.9 Ø TUBE 9 ga | #50A60 | #50B9 | 60:1 | (2)3/4HP-115W/22A 230V/11A | 5/16 SSAC 7x19 304, 2P 38 | 110 | 16 | 7 | 2 x 8 x 144 | 144 |
| 16,000 | 10 x .250 H 6 x .410 W 168 L | 2.375 DIA. 20" Length LIFTS 12 FT. | 1.9 Ø TUBE 8 ga | #60A60 | #60B10 | 60:1 | (2)1HP 230V/13A | 5/16 SSAC 7x19 304, 2P 38 | 110 | 18 | 10 | 3 x 10 x 168 | 192 |
| 16,000 XL | 10 x .250 H 6 x .410 W 168 L | 2.375 DIA. 20" Length LIFTS 12 FT. | 1.9 Ø TUBE 8 ga | #60A60 | #60B10 | 60:1 | (2)1HP 230V/13A | 5/16 SSAC 7x19 304, 2P 38 | 134 | 18 | 10 | 3 x 10 x 192 | 192 |
| 20,000 | 12 x .290 H 7 x .470 W 192 L | 2.375 DIA. 25" Length LIFTS 12 FT. | 1.9 Ø TUBE 8 ga | #60A60 | #60B10 | 60:1 | (2)1HP 230V/13A | 5/16 SSAC 7x19 304, 3P 60 | 123 | 13 | 10 | 3 x 10 x 192 | 192 |

HI-SPEED OPTION

| GEAR DRIVE RATIO | NO. OF MOTORS # H.P. | MOTOR BRAKE TORQUE | INCHES OF LIFT PER MINUTE |
|------------------------|-------------------------|--------------------------|---------------------------------|
| 30:1 | (2)-1/2HP 230V/22A | 6 FT.-LBS | 82 |
| 30:1 | (2)-1/2HP 230V/22A | 6 FT.-LBS | 66 |
| 30:1 | (2)-1/2HP 230V/22A | 6 FT.-LBS | 40 |
| 30:1 | (2)-1/2HP 230V/22A | 6 FT.-LBS | 32 |
| 30:1 | (2) HP 230V/25A | 6 FT.-LBS | 44 |
| 30:1 | (2) HP 230V/25A | 6 FT.-LBS | 44 |
| 30:1 | (2) HP 230V/25A | 6 FT.-LBS | 30 |



BOAT LIFTS

17030 Alico Center Rd.

Ft. Myers, FL 33967

Phone: (800) 669-3515

Fax: (239) 454-8641

DWG: 600116