

IMM QUALITY

— BOAT LIFTS —

Owner's Manual

For

Kayak Launch



SAFETY PRECAUTIONS



1. Your boat lift is a heavy duty piece of equipment. It is important that all persons that may operate this unit have read and understood the owner's manual. Given the inherent dangers of heavy machinery, your boat lift deserves respect, and good judgment is required in its operation. Before allowing others to operate the unit be certain that they understand the proper operating procedures. Do not allow children to operate the lift.
2. This product is for lifting unoccupied boats. Do not ride in your boat or on the lift during operation. Always attend the controls when operating the lift, and watch carefully to have others stand clear. Keep hands, feet, and clothing away from all moving parts.
3. Your lift may be operated by electricity, therefore, additional care must be taken. It must be wired by a licensed electrician, and it must be installed with an approved ground fault interruption device. If you observe severed or damaged wiring, it must be repaired immediately by an electrician. When properly installed and maintained, electrical devices such as this lift are completely safe. However, any electrical device used in and around a water environment must be treated with great respect to prevent accidental electrocution. All electrical maintenance and service to this lift must be done by a licensed electrician.
4. While operating your lift, routinely look at all cables for fraying, damaged ends, or loose strands. A damaged cable must be replaced immediately. Make sure that all pulleys are turning properly. Routinely look over cables to make sure that they are winding properly. Look for signs of extreme wear and unusual corrosion, as well as, exposed or damaged electrical wires. If you find any of the above, have the problem repaired immediately.
5. Do not work on your boat or lift while the boat is hoisted. When working on your lift, keep your hands, feet, and clothing away from all moving parts. Exercise great care if chains or gearing are exposed. Never work underneath a raised lift, and do not walk or stand on a raised lift. Always disconnect electrical power when working on any part of the lift.
6. Be careful not to exceed the rated capacity of the lift. To determine the total weight of your equipment to be lifted, study the boat manufacturer's literature to determine its weight. Be sure to add enough extra weight to compensate for your added accessories, including water and fuel. Gasoline weighs about 6 lbs. per gallon and water weighs about 8 lbs. per gallon.
7. If you plan to leave your lifted boat unattended for several weeks, it is important that you remove the drain plug in the boat to prevent it from filling with rain water. Accumulated rain, snow or other water in your boat can rapidly become heavy enough to exceed the capacity of a lift, causing personal injury or damage to the boat and lift.

Congratulations on your purchase of an IMM Quality Kayak Launch! We appreciate your business and want you to know that you have purchased the finest boat lift on the market today. We believe our lifts are the easiest to use and are confident that your new lift will provide many years of trouble free use. This Owner's Manual is designed to provide vital safety information on your lift, as well as the necessary information for lift maintenance and instructions on its use. Again we thank you for your business and you can rest assured knowing your boat is cradled by IMM Quality Boat Lifts.

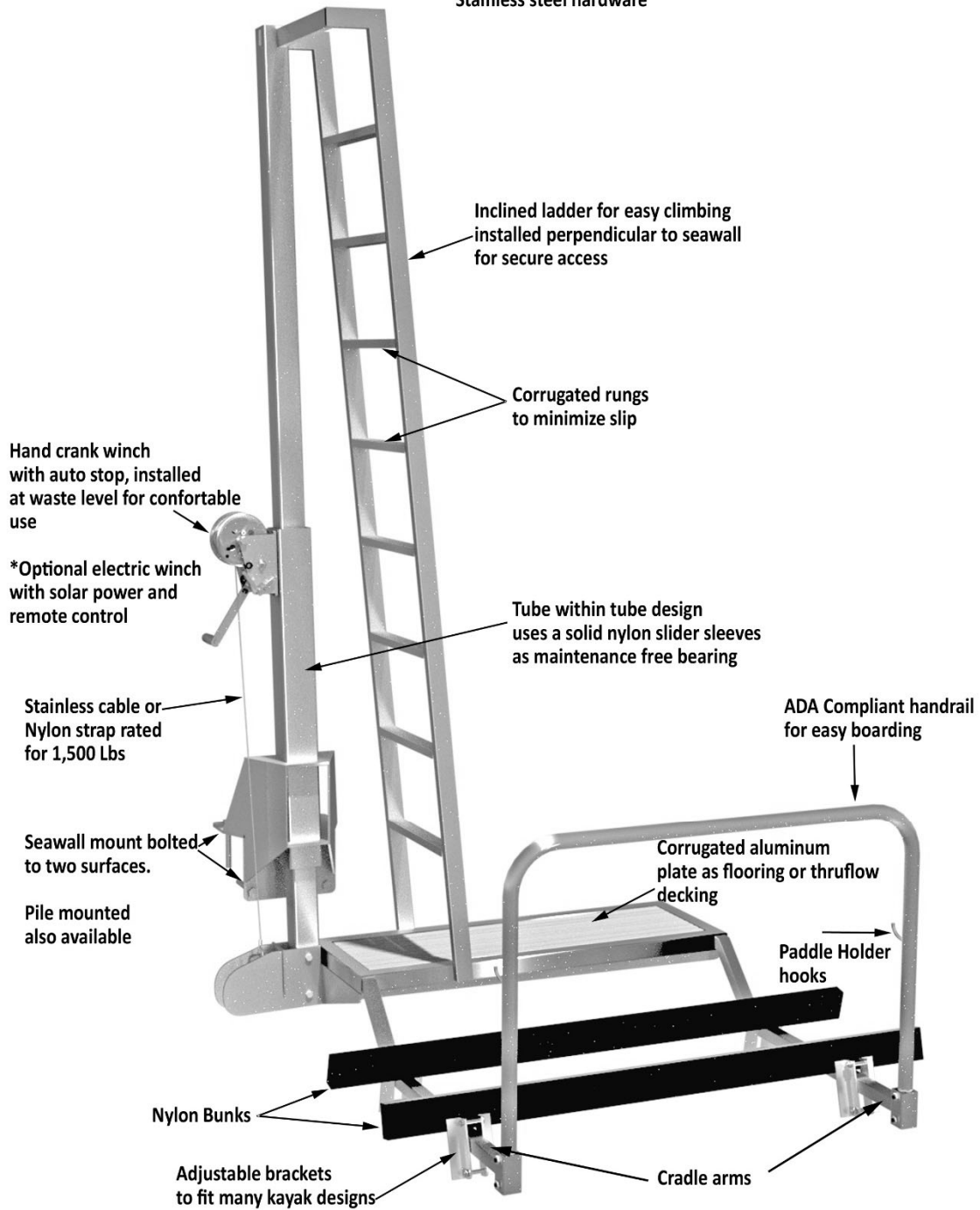
Built For A Lifetime!

<u>Table of Contents</u>	Page
Figure of Lift Components	4
Watercraft Positioning	5
Operating Instructions	6
Helpful Hints	10
Maintenance Instructions	12
Maintenance History	13
IMM Quality Boat Lifts Warranty	14
Records Page	17
Product Registration Form	18

Components:

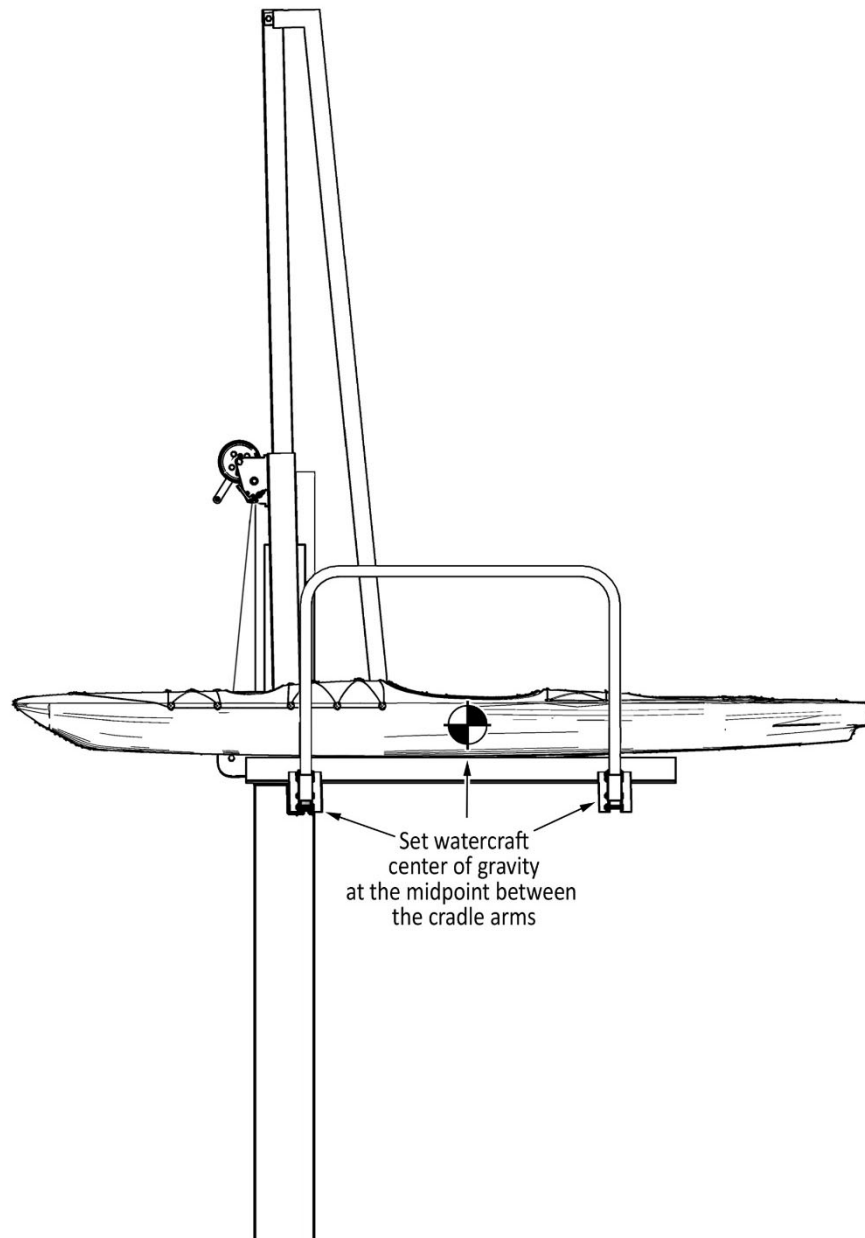
KAYAK LAUNCH

Superior welded construction for long lasting durability
made of (6061-T6) aluminummarine grade
Stainless steel hardware



Watercraft Positioning:

The water craft must be properly balanced on the lift before attempting to operate the kayak launch. Generally, water craft are heavier towards the rear section. The water craft must be positioned so that the center of gravity of the water craft is centered between the two cradle arms. The figure below shows the watercraft positioned correctly with a typical kayak. Please consult with the manufacturer to determine the location of the center of gravity for your particular watercraft.



Operating Instructions

Upon completion of your lift installation, the contractor will adjust the bunks to fit your watercraft. Familiarize yourself with the operation of the manual winch or optional solar powered electric winch. Never leave the lift unattended while in operation. Be sure the watercraft stays level when raising or lowering the lift. Failure to shut off the electric lift may result in major damage to the lift and / or watercraft.

Manual Hand Crank Winch with Auto-Stop

Simply turn the hand crank clockwise or counter-clockwise to raise or lower the lift. There is no brake to release or engage. The auto-stop will hold the lift in position.

When **lowering** the lift, make sure the watercraft is secured to the launch with bungee cords or by other means and that any drain plugs are installed. Turn the crank until the launch is lowered enough such that the watercraft floats. Climb down the ladder to the platform, board your watercraft, release the bungee cords and paddle away from the launch.

When **raising** the lift, float your watercraft into the centered pick-up position. Secure the watercraft to the launch with bungee cords or other means. Exit the watercraft and climb up the ladder to the dock. Turn the hand crank until the launch is in the full up position. Open drain plugs if your watercraft has them. If your watercraft does not have drain plugs, turn it on its side to prevent rainwater from accumulating in the watercraft.

Optional Electric Winch with Solar Power

To **lower** the lift:

1. Make sure the watercraft is secured to the launch with bungee cords or by other means and that any drain plugs are installed.

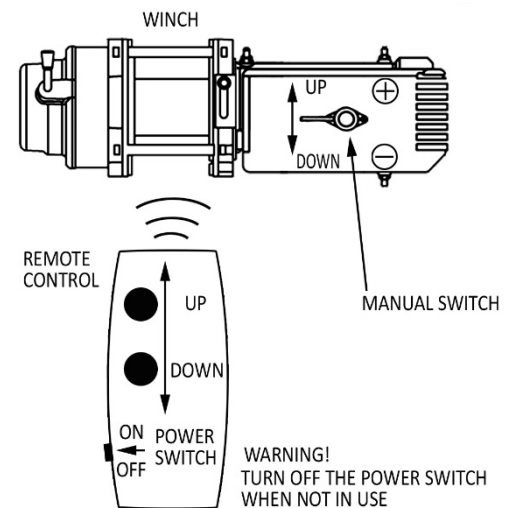
2. Push the “down” button on either the electric winch or remote control and allow the lift cradle to sink into water deep enough to float the watercraft. Simply releasing the button causes the winch to stop operating.
3. Climb down the ladder to the platform and board your watercraft.
4. Release the bungee cords and paddle away from the launch.

To raise the lift:

1. Float your watercraft into centered pick-up position.

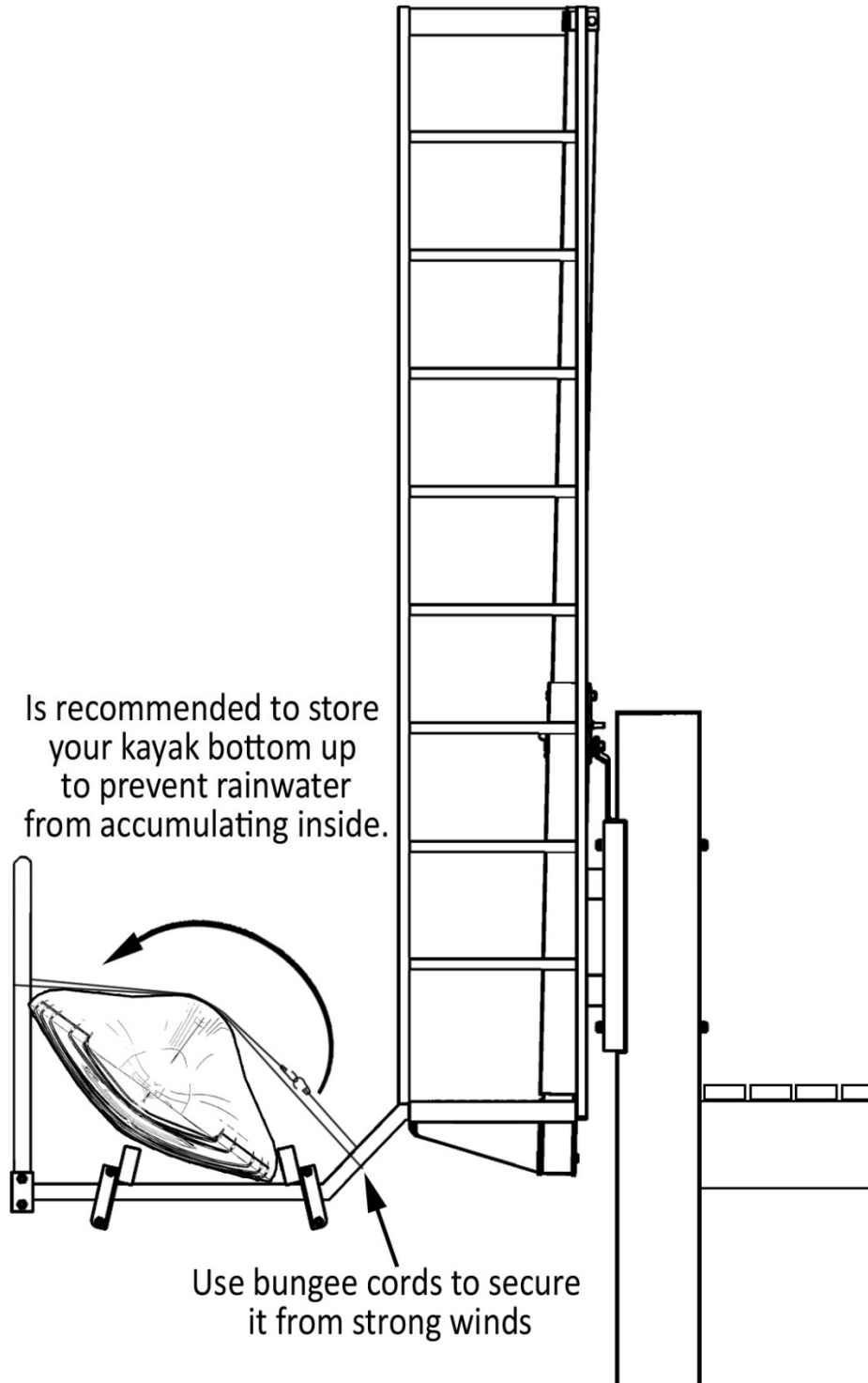
Do not power a watercraft onto the lift cradle as this will result in damage to the lift and / or boat

2. Secure the watercraft to the launch with bungee cords or other means.
3. Exit the watercraft and climb up the ladder to the dock.
4. Push the “up” button on either the electric winch or remote control and allow the lift cradle to rise until the desired height above the water. Simply releasing the button causes the winch to stop operating.
5. Open drain plugs if your watercraft has them. If your watercraft does not have drain plugs, turn it on its side to prevent rainwater from accumulating in the watercraft.

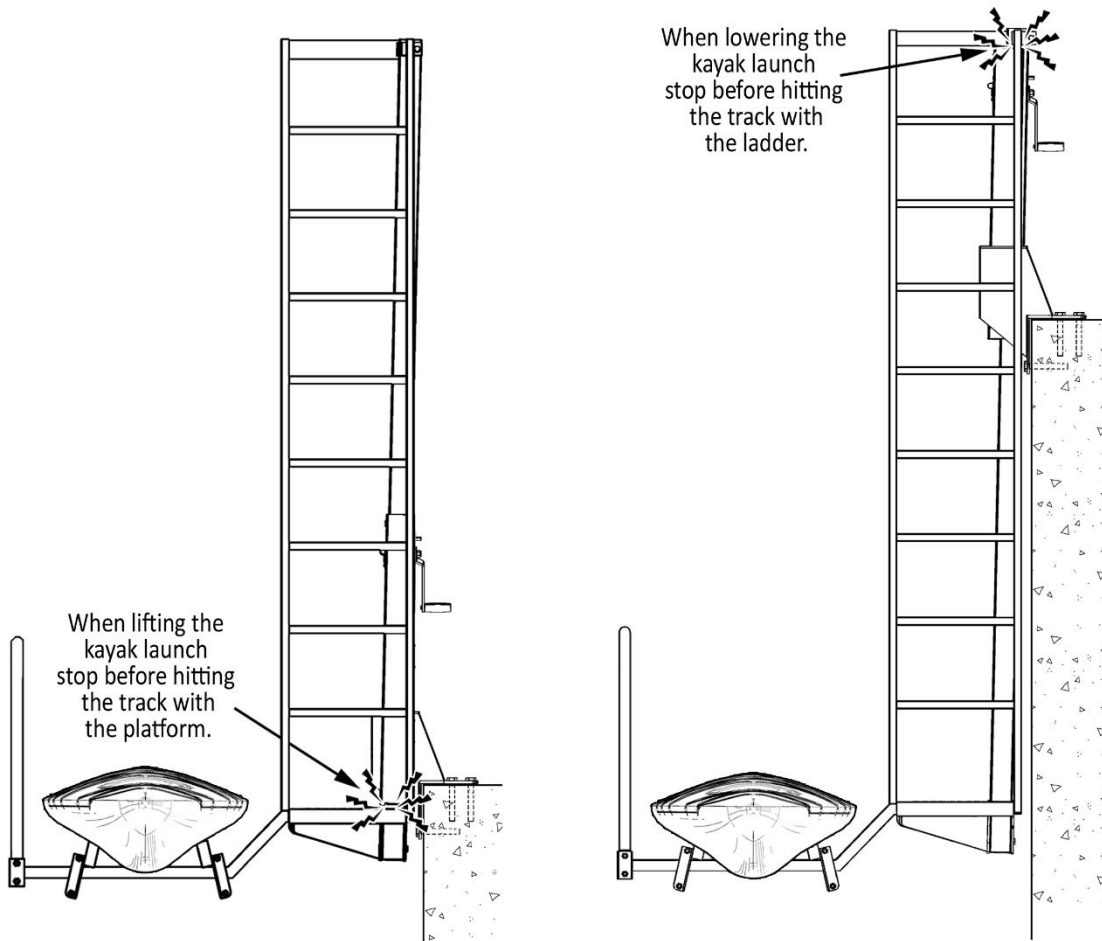


Your launch was designed for many years of trouble free use. When properly installed, your launch is designed to lift your watercraft high enough to prevent flotation during tidal surges and unusual weather conditions. Take care not to leave the cradle arms submerged for extended periods of time after lowering your launch. Marine life can adhere to cables, the structure and moving parts causing extensive wear or malfunction. Salt water and brackish water are also very corrosive to metals. It is recommended that you do not leave cradle arms underwater more than a few hours in salt or brackish water. Your launch is designed to operate for many years in this highly corrosive environment, if reasonable precautions are taken (see Maintenance Instructions).

Operating Instructions: Storing a Kayak



Operating Instructions: Maximum Positions



Helpful Hints

How can I establish a repeatable submerged depth for my launch that will allow my watercraft to float on to and off the bunks?

You will want the position of the bunks to be deep enough in the water to allow the watercraft to readily float over them. Returning to your lift after a tide change can cause you to question whether or not there is enough floatation clearance above the bunks. To mark your lift so that you can visually determine the proper depth of the cradles; 1. Lower the lift until your watercraft floats. Then lower it a few more inches. 2. While the lift is in this position, mark the handrail with a pencil at the water line. 3. Raise the lift to a height where it is easily accessible. 4. After the handrail has dried sufficiently, either paint a stripe around the rail at the pencil mark or wrap with electrical tape. No matter the tide, as long as your mark is below the water level, you will be able to float your watercraft onto the cradles.

If I buy a new watercraft how does it affect my launch?

First, make certain that your new watercraft does not exceed the rated capacity of your lift. The capacity of the lift can be found on the yellow label on the track structure. At a minimum, you must add at least 20% to the manufacturer's dry weight of the boat to allow for fuel and water weight. Also include the weight of any accessories the boat will have. Finally, you may need to adjust the bunks to accommodate a different hull.

What should I do if a hurricane approaches?

The best solution is to remove the watercraft from the launch and secure it safely on dry land. A boat lift is only as strong as the pilings it sits on, so no boat lift is hurricane proof. Also your boat lift could have a collision from other vessels or major debris. If you are left with no other choice but to leave the vessel on the lift, secure the watercraft to the fixed portion of your lift. IMM Quality Boat Lifts suggests the following to support the safety of your vessel before, during and after a storm: 1) Raise the lift as high as possible. 2) With the boat tipped

slightly to the stern for drainage or with the kayak tipped bottom up, tie straps from one cradle arm to the other cradle arm over the top of your watercraft. Use the straps to hold the boat tightly against the bunks. This procedure will lock the boat in place making it more resistant to wind. 3) Heavy wind will cause the boat and cradles to bounce up and down on the cable, likely breaking the cable in the process. Use additional straps to secure the cradle arms, ladder and platform to dock structure and piling. The goal is to keep the lift out of the water should the cable break. 4) Make sure the battery is disconnected and any power to the dock is turned off at the breaker supply inside the house. If at all possible, remove the motors and controls to prevent failure from flooding. 5) Remove all loose materials from the vessel, including cushions that are snapped in place. 6) If you're not in a high water area, remove the drain plug to make sure the boat doesn't flood with water and overload the boat lift. 6) Make certain you have all of your vessel's paperwork in order, including registration, it may be needed for an insurance claim.

Maintenance Instructions

IMM Quality Boat Lifts prides itself on building extremely durable and low maintenance lift systems. To keep your lift operating at peak performance, we recommend that you operate your lift occasionally during the off-season, or extended periods of no boating activity. Simply run the lift for one minute in each direction. In addition, **please perform the following routine maintenance at least twice a year.**

- Inspect the cable or nylon strap for fraying, damaged ends, loose strands, and to see if they are winding properly. Replace cable or strap immediately if frayed, kinked or damaged.
- Dirt, salt crystals and other surface contaminants may cause abrasive wear to the cable or nylon strap. Routine washing with fresh water will reduce this problem. Lubricating the steel cable with wire rope lubricant (ie. Lubrication Engineer's Wirelife Monolec Penetrating Lubricant) may extend the life of the cable.
- Cables and straps need to be replaced every two years, or every 350 lift cycles, whichever comes first.
- Watch for signs of extreme wear and corrosion of the lift structure. If observed, contact IMM Quality Boat Lifts service department or your dealer contractor.
- The track system bearings are maintenance-free, no lubrication is required.
- Lubricate the sprockets and gears of the winch with roller chain lubricant (ie. Schaeffer's #277 Moly roller chain lube).
- If an electrical winch is installed, inspect the electrical wiring for damage or signs of unusual wear. If any is observed, contact a certified electrician immediately to perform repairs.
- If solar power is installed, inspect the panels for damage and replace if necessary. Also, open the battery housing and clean the terminals if there is excess corrosion (white powder). Lift the battery terminal covers and disconnect the clamps from the battery terminals. Clean the terminals and clamps with a baking soda paste (1:1 baking soda and water) and a brush. Rinse with water and dry completely. Spray with battery terminal protector to reduce future corrosion. Re-install the clamps on the terminals.

Maintenance History

Date	Maintenance Performed	By



17030 Alico Center Rd.
Fort Myers, FL 33967
Toll Free 1-800-545-5603
Phone: (239) 432-9110
Fax: (239) 432-0019

Limited Warranty

Imm Quality Boat Lifts warrants our boat lifts as follows:

1. With respect to lifts purchased or used for personal, family or household purposes, Imm Quality Boat Lifts (the "Company") warrants the structural integrity of the aluminum cradle beams and top beams of our 4 and 8 post boat lifts for a period of 15 years from the date of delivery to the original owner.
2. With respect to lifts purchased or used for personal, family or household purposes, Imm Quality Boat Lifts warrants the structural integrity of the aluminum cradle beams and carriage arms of our elevator, PWC boat lifts and kayak launch for a period of 5 years from the date of delivery to the original owner.
3. The Company further expressly warrants that lifts purchased or used for personal, family or household purposes shall be free from manufacturer's defects in material and workmanship for a period of 5 years on gear boxes, 2 years on all electrical motors, 1 year on winches and 1 year on all other components from the date of delivery to the original owner. Our underwater tracks and hardware are warranted for a period of 1 year from defects in material and workmanship with the following limitations: Sacrificial anodes must be maintained and an electrical disconnect, including neutral and ground, must be provided or warranty will be null and void. Under no circumstances will the warranty coverage extend to damage caused by electrolysis or corrosion.

The Company agrees to provide all necessary parts and materials only (no labor) to correct any warranted defect during warranty periods described above; provided Imm Quality Boat Lifts receives notice of any such defects within the applicable specified warranty periods.

What is not covered by this warranty:

1. If the equipment is installed at any location other than the original purchaser's address specified in the sales agreement all warranties express or implied are null, void, unenforceable and the equipment shall be deemed sold "as is" with the entire risk to quality and performance to be borne by owner.
2. The Company makes no express or implied warranties with respect to lifts purchased or used for commercial purposes. The Company makes no express or implied warranty of merchantability or fitness for any particular purpose.

3. Damage which is caused by improper product selection, improper installation, failure to follow applicable installation and maintenance recommendations, or failure to follow applicable instructions or warnings are not covered by this Limited Warranty.
4. Damage that is not the Company's fault, such as, but not limited to, damage caused by accidents, misuse, overloading, negligence, alteration, modification, or abusive operation is not covered by this Limited Warranty.
5. The Company shall not be responsible for any incidental or consequential damage, including, but not limited to, damage to property, loss of use, lost profits, or expenses for inconvenience.
6. All repairs after the applicable warranty period are the Owner's responsibility.
7. All routine maintenance and periodic service is the Owner's responsibility and is not covered by this Limited Warranty.
8. If the original Owner or any one not authorized by Imm Quality Boat Lifts attempts to make repairs to the lift, all warranties express or implied are null, void, unenforceable and the equipment shall be deemed sold "as is" with the entire risk to quality and performance to be borne by owner.

This warranty further does not cover any damages whatsoever including incidental and / or consequential damages resulting from any adverse weather conditions, acts of God or other causes not due to a defect in materials and / or workmanship of our product.

Warranty Disclaimers:

1. Any applicable implied warrant, including any applicable warranty of merchantability or fitness for a particular purpose, is limited to a period of 2 years from the date of delivery to the original purchaser.
2. The Company makes no express warranties regarding its products except as stated herein. No agent, employee, or representative of the Company has authority to bind the Company to any affirmation, representation, or warranty concerning the Company's products except as stated herein.
3. Some states do not allow the exclusion or limitation of incidental or consequential damages nor do some states limit the length of implied warranties, so the above limitations may not be applicable to all owners.

It is the responsibility of the Owner to ensure that each product is fit for its' intended purpose, to ensure the intended location is suitable for the lift, and to ensure that the installation is completed according to Imm Quality Boat Lift's recommendations described in the installation manual. The Owner acknowledges that all users must understand how to operate the lift in a safe manner. The Owner acknowledges the need for regular service and maintenance of the lifting equipment by a qualified technician which is not covered by warranty.

The Owner's remedies under the Limited Warranty are limited exclusively to repair or replacement of components which fail due to manufacturer's defects in material or workmanship during normal operation.

If you have any questions or problems:

1. Should the Owner encounter a problem which might be covered by this Limited Warranty, the Owner must contact the Company in writing within the applicable warranty period. Imm Quality Boat Lifts address for receipt of notice is:

17030 Alico Center Rd., Fort Myers, FL 33967

2. The Owner should provide the following information in their written notice: the type of product purchased, the purchase date, event dates, dealer name, the problem or question along with any other pertinent information.

This Limited Warranty gives you specific rights, and you may have other rights which vary from State to State.

This Limited Warranty shall be governed by and construed in accordance with the internal laws of the State of Florida, U.S.A., without reference to any conflicts of law provisions.

The Owner hereby submits to the exclusive jurisdiction of, and waives any venue or other objection against, any court of competent jurisdiction sitting in Lee County, Florida for any legal proceeding arising out of or relating to this Limited Warranty. Each party agrees that all claims and matters may be heard and determined in any such court and each party waives any right to object to such filing on venue, forum non-conveniens, or similar grounds.

For your Records

LIFT MODEL _____

CAPACITY _____

SERIAL NO. _____

DATE OF PURCHASE _____

CONTRACTOR _____

PHONE NO. _____

ELECTRICIAN _____

PHONE NO. _____

Note: Retain your sales slip; it is your proof of purchase.

Imm Quality Boat Lifts is always striving for perfection. Unfortunately, it is not practical to reprint our brochures and product literature every time we make an improvement, therefore, specifications may change at any time without notice. We make every effort to know and recommend the various Marine Contractors that sell and install our products. It is our goal that these contractors operate in a professional and ethical manner. However, we cannot be held responsible for any work or consequences of any work not performed by Imm Quality Boat Lifts.



17030 Alico Center Rd.
Fort Myers, FL 33967
Toll Free 1-800-545-5603
Phone: (239) 432-9110
Fax: (239) 432-0019

Product Registration

PLEASE FILL OUT AND MAIL WITHIN 30 DAYS OF LIFT INSTALLATION TO OUR ADDRESS

Imm Quality Boat Lifts
17030 Alico Center Rd.
Fort Myers, FL 33967

NAME _____

ADDRESS _____

CITY _____ STATE _____ ZIP _____

PHONE _____

LOCATION OF LIFT (if different than above)

LIFT MODEL _____ CAPACITY _____

SERIAL NO. _____ DATE INSTALLED _____

CONTRACTOR _____ PHONE _____

ELECTRICIAN _____ PHONE _____

MAKE AND MODEL OF BOAT _____

I have read the owner's manual and understand the use of my lift and any precautions to be taken.

Signature _____ Date _____

